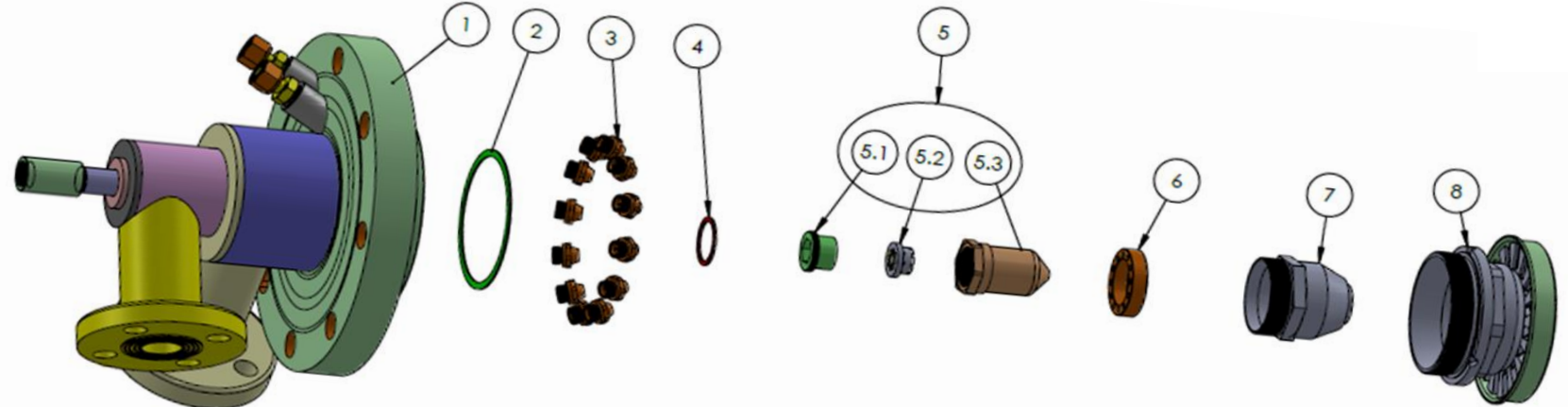


7E STANDARD DUAL FUEL W/ WATER INJECTION			10A0299-01
ITEM NO.	DESCRIPTION	QTY	ICS P/N
1	MAIN NOZZLE BODY	1	10A0302-01
2	LOCK RING	1	10C0399-01
3	WATER TIP	12	10C0459-XX
4	COPPER SEAL	1	10C0400-01
5	TRANSITION PIECE ASSY	1	10A0284-01
5.1	THREADED HEX LOCK	1	10C0580-01
5.2	SWIRLER	1	10C0581-01
5.3	TIP	1	10C0579-01
6	METER RING	1	10C0393-01
7	ATOMIZING AIR CONE	1	10C0403-01
8	GAS TIP ASSY	1	10A0247-01

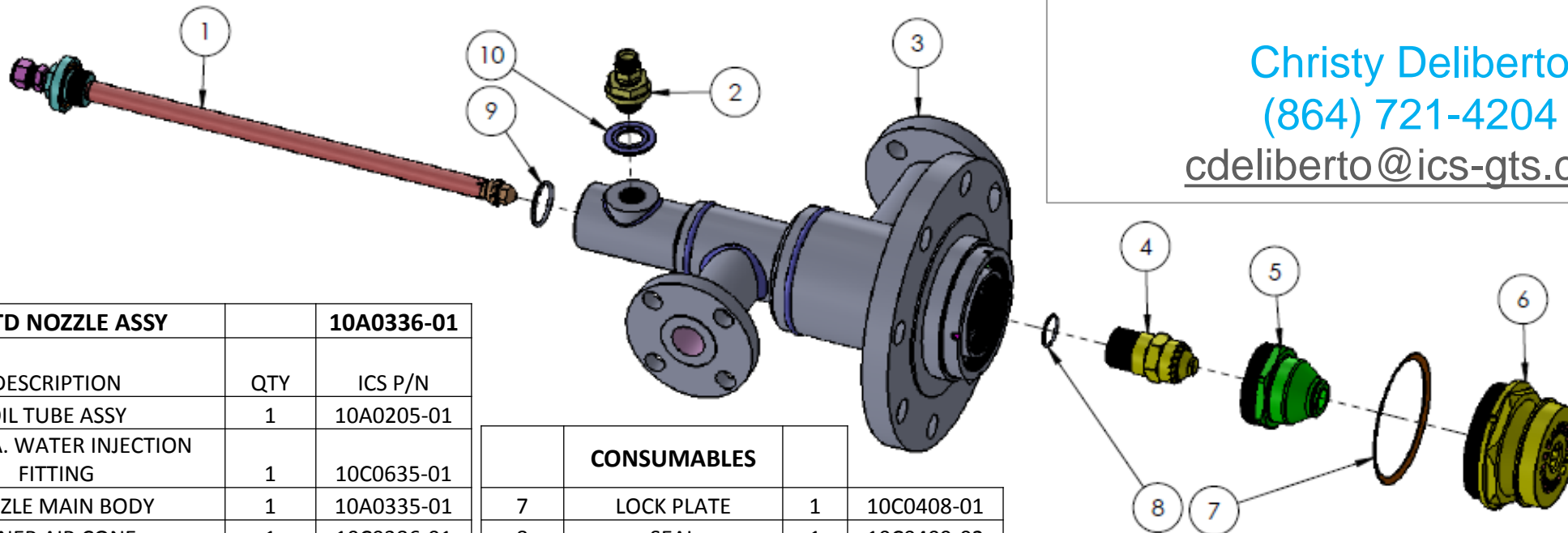
Frame 7 Standard Combustion Assembly w/ Water Injection  
 Similar To: OEM # 149D2990 (12) Water Tips), 143D7465 (8 Water Tips)  
 ICS New 10A0299-XX / ICS Repair 10R0174-00



ICS has earned our commanding industry reputation through our integrity, customer service excellence, and superior manufacturing services that provide our customers with a strategic market advantage. Please contact us to learn how we might partner with you to create an opportunity for sustained success.

**Christy Deliberto**  
 (864) 721-4204  
[cdeliberto@ics-gts.com](mailto:cdeliberto@ics-gts.com)

Frame 6 Standard Combustion Assembly Breechload  
 Similar To: OEM # 112E1616, 103E3748  
 ICS New 10A0336-XX / ICS Repair 10R0164-00



6B STD NOZZLE ASSY			10A0336-01
ITEM NO.	DESCRIPTION	QTY	ICS P/N
1	OIL TUBE ASSY	1	10A0205-01
2	.500 DIA. WATER INJECTION FITTING	1	10C0635-01
3	NOZZLE MAIN BODY	1	10A0335-01
4	INNER AIR CONE	1	10C0386-01
5	OUTER AIR CONE	1	10C0387-01
6	GAS TIP	1	10C0557-01

CONSUMABLES			
7	LOCK PLATE	1	10C0408-01
8	SEAL	1	10C0409-02
9	SEAL	1	10C0409-01
10	FLEXITALLIC GASKET	1	10C0230-01