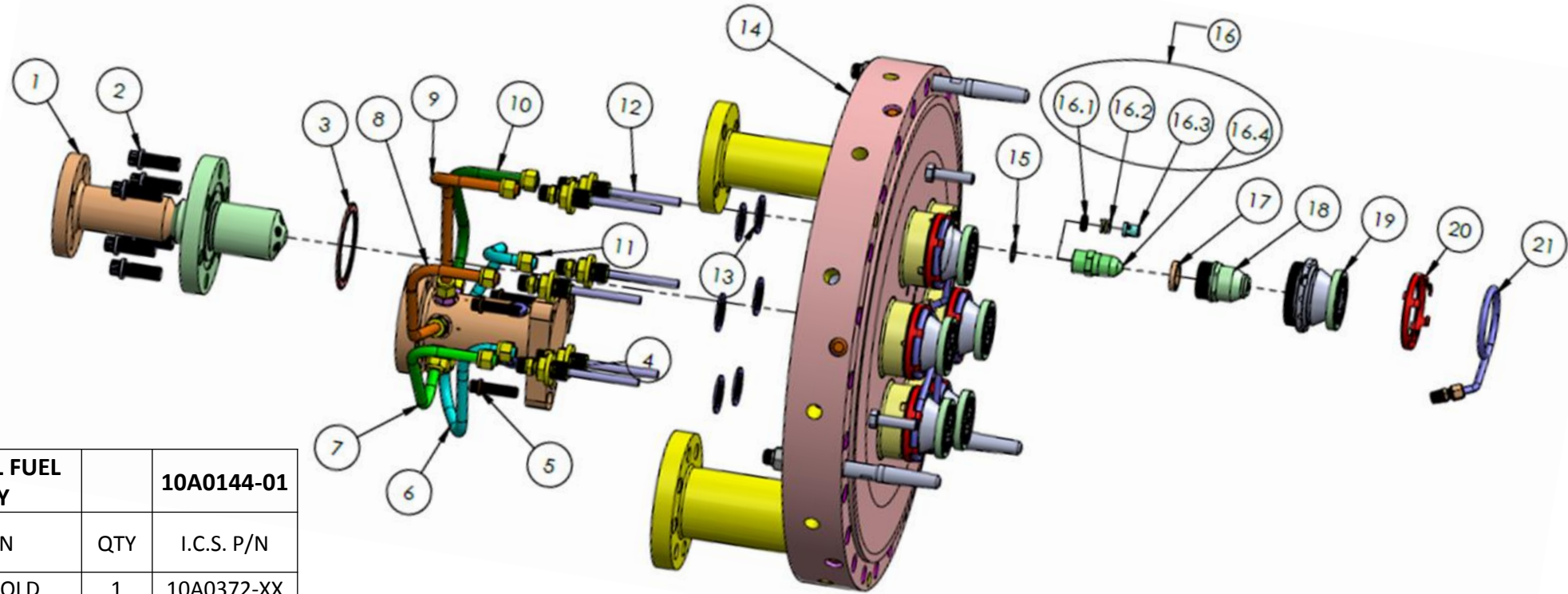


Similar To: OEM # 101E2502 (7F), 979E0261 (7EA)

7F ICS New 10A0144-XX / ICS Repair 10R0102-00

7EA ICS New 10A0246-XX / ICS Repair 10R0139-00



ITEM NO.	7F MNQC DUAL FUEL FINAL ASSY	QTY	10A0144-01 I.C.S. P/N
1	WATER MANIFOLD	1	10A0372-XX
4	FDV VALVE	1	10A0271-XX
6	OIL TUBE ASSY #1	1	10A0156-01
7	OIL TUBE ASSY #6	1	10A0153-01
8	OIL TUBE ASSY #5	1	10A0158-01
9	OIL TUBE ASSY #4	1	10A0157-01
10	OIL TUBE ASSY #3	1	10A0152-01
11	OIL TUBE ASSY #2	1	10A0155-01
12	OIL FEED TUBE ASSY	6	10A0297-01
14	END COVER ASSY	1	10A0353-01
16	TRANSITION PIECE ASSY	6	10A0145-01
16.1	RETAINER - THREADED	6	10C0227-01
16.2	SPRING	6	10C0226-01
16.3	OIL SWIRLER	6	10C0225-01
16.4	BODY	6	10C0224-01
17	AA FLOW RING	6	10C0246-01
18	AA CONE	6	10C0223-01
19	GAS TIP	6	10A0282-XX
21	WATER TUBE ASSY	6	10A0146-01

CONSUMABLES			
ITEM NO.	DESCRIPTION	QTY	I.C.S. P/N
2	.625-11 X 1.88 LG 12 POINT BOLT	6	10C0598-02
3	SPIRAL WOUND GASKET	1	10C0229-01
5	.500-13 X 1.75 LG 12 POINT BOLT	3	10C0298-05
13	FLEXITALLIC GASKET	6	10C0230-01
15	COPPER SPRING SEAL	6	10C0127-03
20	LOCK PLATE	6	10C0232-01

ICS has earned our commanding industry reputation through our integrity, customer service excellence, and superior manufacturing services that provide our customers with a strategic market advantage. Please contact us to learn how we might partner with you to create an opportunity for sustained success.

Christy Deliberto
(864) 721-4204
cdeliberto@ics-gts.com