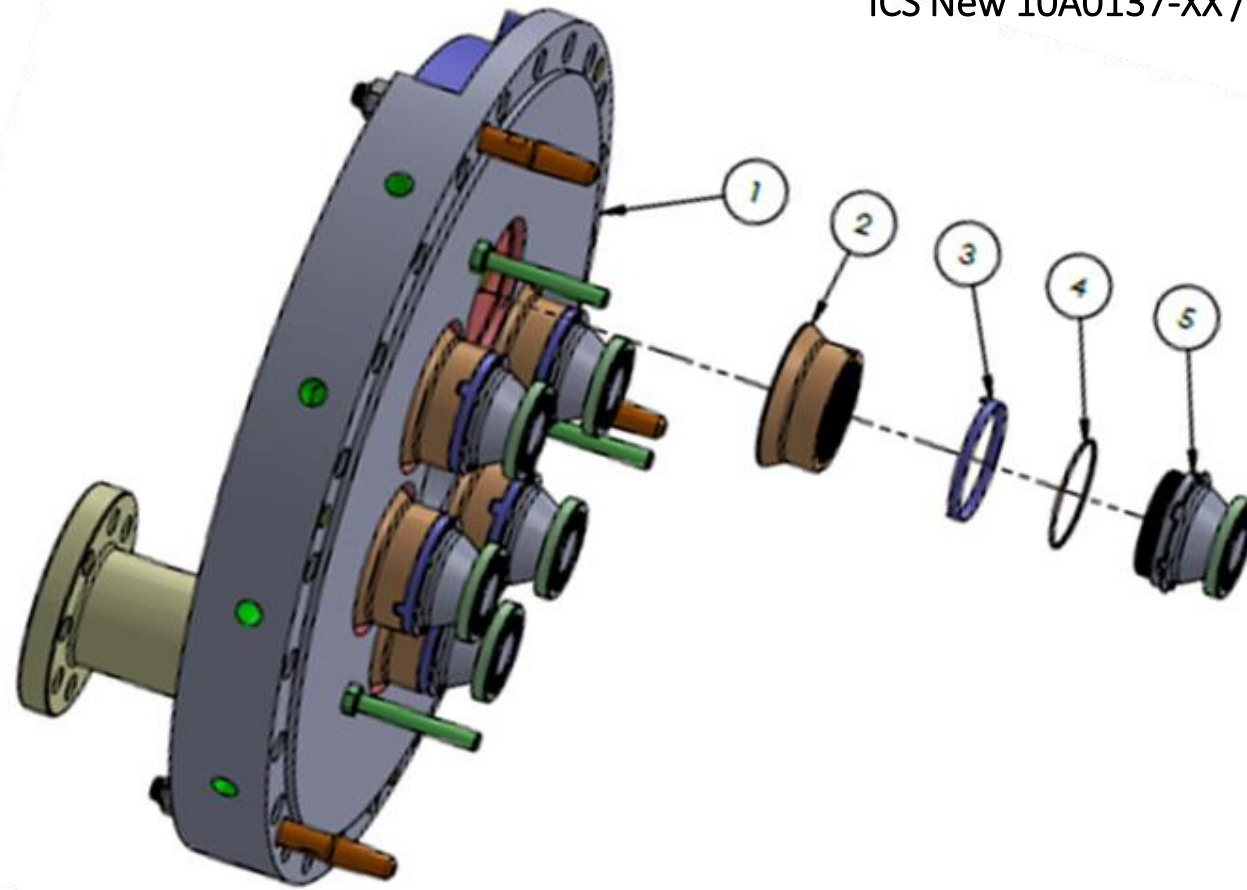


Similar To: OEM # 146E3126, 116E1637, 116E1640  
 ICS New 10A0137-XX / ICS Repair 10R0134-00



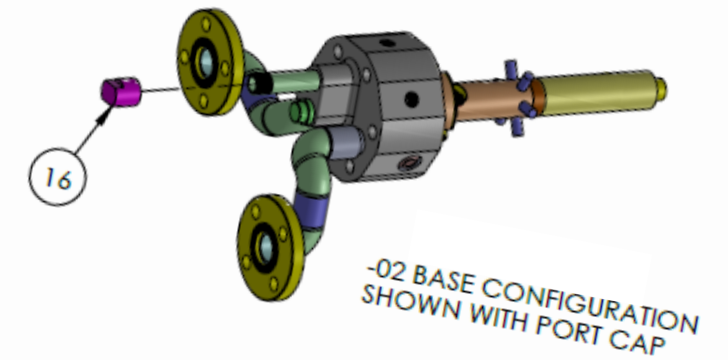
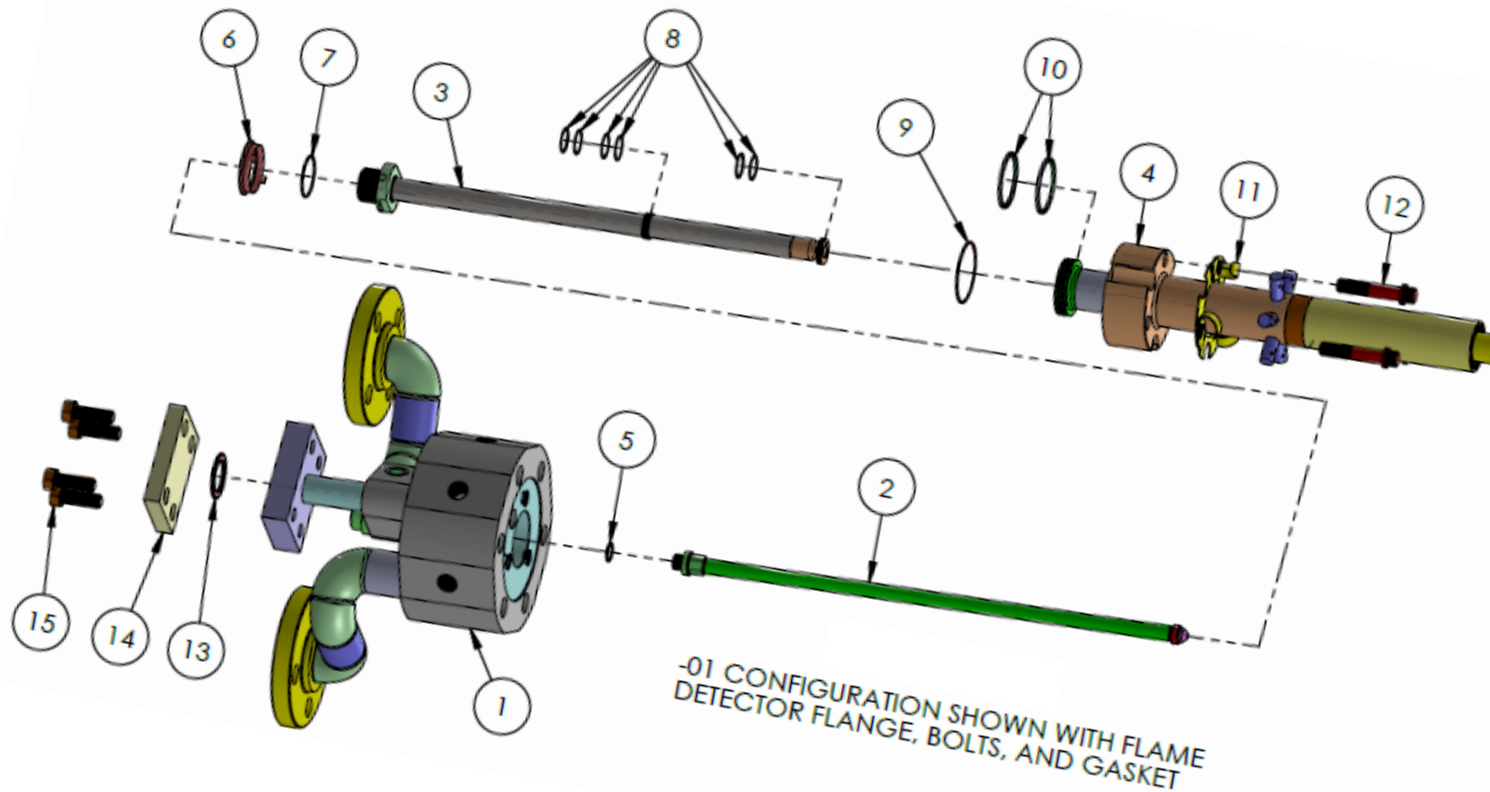
7EA DLN1 GAS ONLY END COVER ASSY			10A0137-XX
ITEM NO.	DESCRIPTION	QTY	ICS P/N
1	END COVER ASSY	1	10A0373-01
2	COVER INSERT	6	10C0739-01
5	GAS TIP	6	10A0317-XX
<b>CONSUMABLES</b>			
3	LOCATING RING	6	10C0197-01
4	C-SEAL	6	10C0196-01

ICS has earned our commanding industry reputation through our integrity, customer service excellence, and superior manufacturing services that provide our customers with a strategic market advantage. Please contact us to learn how we might partner with you to create an opportunity for sustained success.

**Christy Deliberto**  
**(864) 721-4204**  
[cdeliberto@ics-gts.com](mailto:cdeliberto@ics-gts.com)

Similar To: OEM # 119E1586

ICS New 10A0177-XX / ICS Repair 10R0133-00



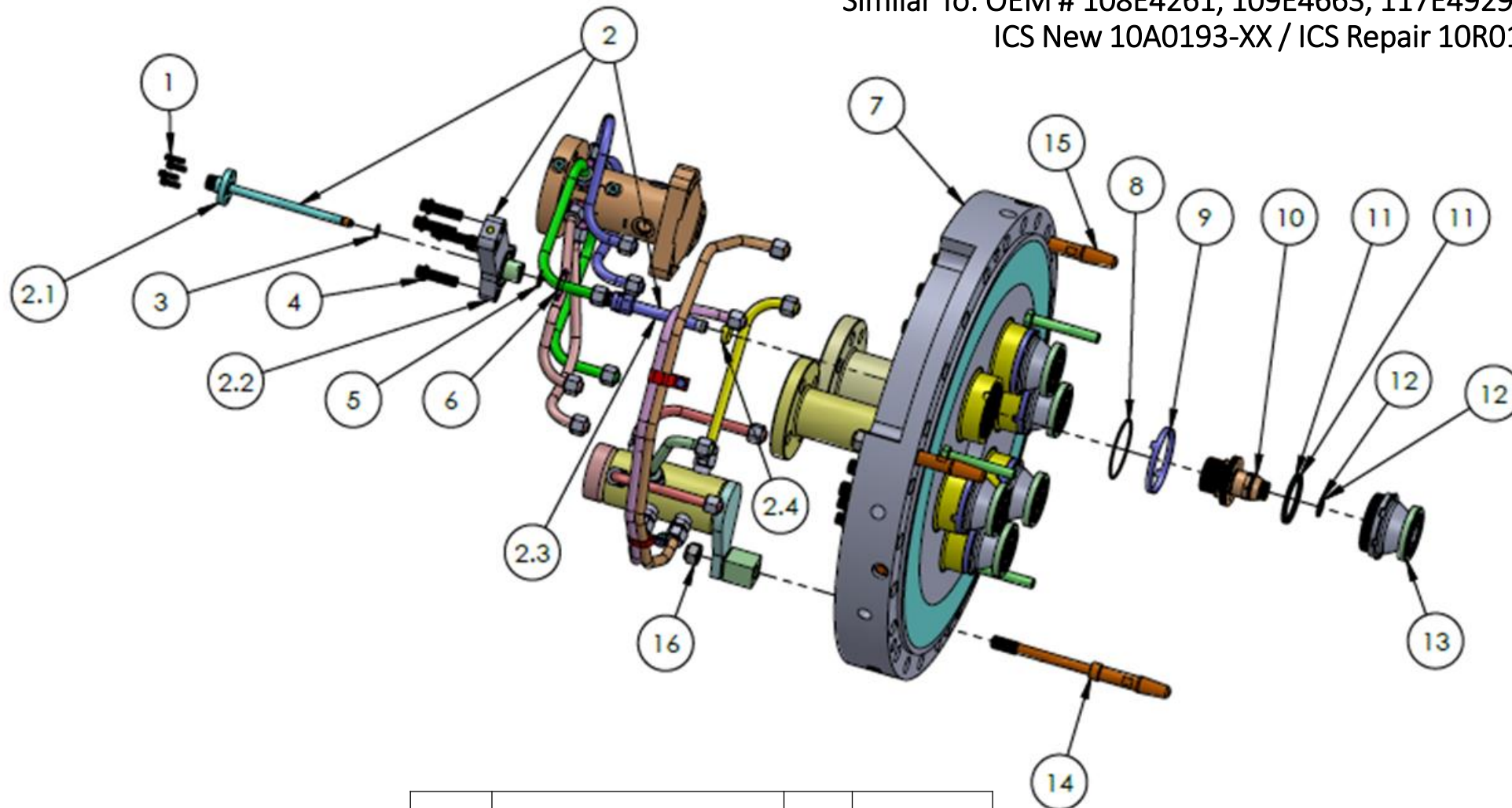
ITEM NO.	7EA DLN1 GAS ONLY SECONDARY ASSY DESCRIPTION	QTY	10A0177-XX ICS P/N
1	SECONDARY BASE ASSY	1	10A0287-XX
2	BLANK TUBE ASSY	1	10A0190-01
3	WATER TUBE ASSY	1	10A0187-XX
4	SECONDARY SLEEVE ASSY	1	10A0189-XX
14	FLAME DETECTOR FLANGE	1	10C0294-01
16	FLAME DETECTOR PORT CAP	1	10C0793-01

CONSUMABLES			
5	O-SEAL	1	10C0355-01
6	LOCK PLATE	1	10C0331-01
7	O-SEAL	1	10C0335-01
8	SMALL PISTON RING ASSY	4	10C0330-01
9	C-SEAL	1	10C0345-01
10	LARGE PISTON RING SET	2	10A0186-01
11	LOCK TAB	1	10C0283-01
12	.500-13 X 2.50 LG 12 POINT BOLT	1	10C0298-03
13	SPIRAL WOUND GASKET	1	10C0295-01
15	.500-13 X 1.50 LG 12 POINT BOLT	1	10C0736-01

ICS has earned our commanding industry reputation through our integrity, customer service excellence, and superior manufacturing services that provide our customers with a strategic market advantage. Please contact us to learn how we might partner with you to create an opportunity for sustained success.

**Christy Deliberto**  
**(864) 721-4204**  
[cdeliberto@ics-gts.com](mailto:cdeliberto@ics-gts.com)

Similar To: OEM # 108E4261, 109E4663, 117E4929, 116E1637  
 ICS New 10A0193-XX / ICS Repair 10R0126-00



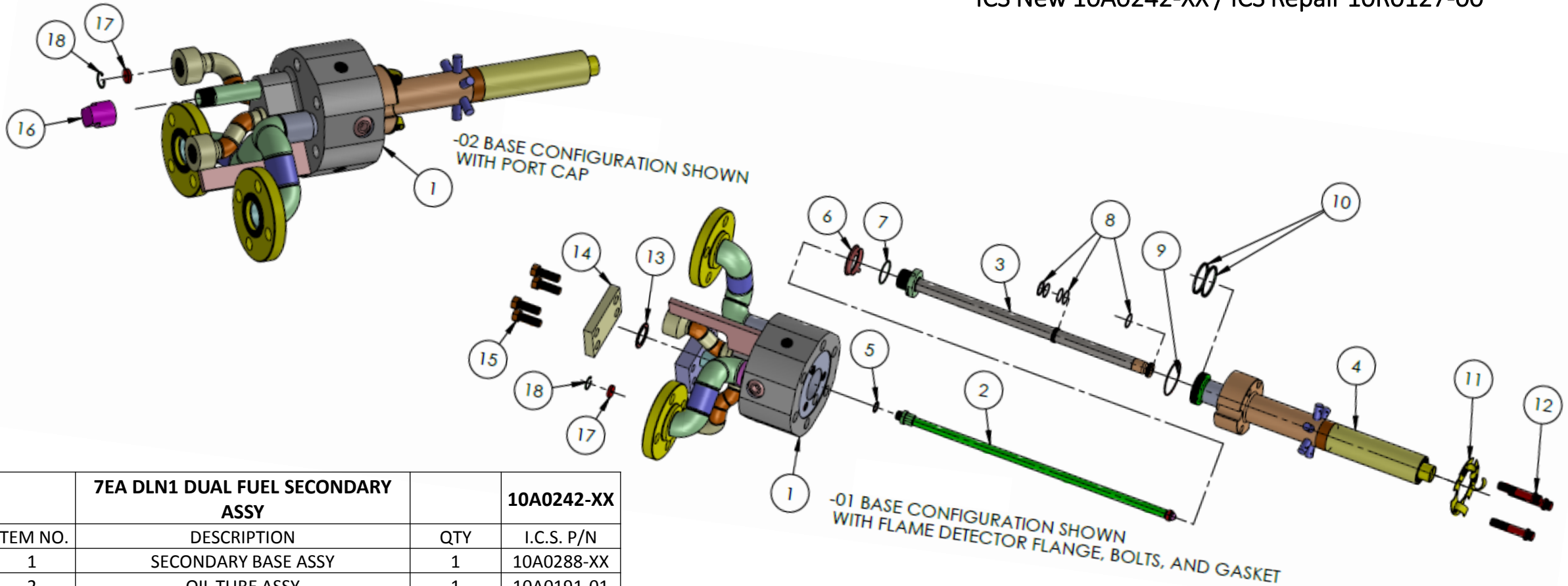
7EA DLN1 DUAL FUEL PRIMARY END COVER NOZZLE ASSY			10A0193-XX
ITEM NO.	DESCRIPTION	QTY	I.C.S. P/N
2	DOG BONE ASSY	6	10A0140-XX
2.1	OIL CARTRIDGE ASSY	6	10A0312-XX
2.2	PRIMARY BODY ASSY	6	10A0126-01
2.3	WATER TUBE ASSY	6	10A0237-XX
7	END COVER ASSY	1	10A0298-01
10	ATOMIZING AIR CONE ASSY	6	10A0139-XX
13	GAS TIP ASSY	6	10A0138-XX
14	WATER MANIFOLD GUIDE PIN	1	10C0434-01
15	GUIDE PIN	2	10C0208-01
16	5/8-11 HEX LOCKNUT	3	10C0209-01

CONSUMABLES			
ITEM NO.	DESCRIPTION	QTY	I.C.S. P/N
1	.250-20 X .750 LG 12 POINT BOLT	24	10C0411-01
2.4	LOCATING RING	6	10C0216-01
3	OIL/WATER SEAL	6	10C0218-01
4	.500-13 X 1.50 LG 12 POINT BOLT	24	10C0298-01
5	O-SEAL	6	10C0338-01
6	SPIRAL WOUND GRAPHITE COATED GASKET	6	10C0217-01
8	C-SEAL	6	10C0196-01
9	LOCK TAB	6	10C0197-01
11	PISTON RING SET	12	10A0283-01
12	PISTON RING	12	10C0414-01

ICS has earned our commanding industry reputation through our integrity, customer service excellence, and superior manufacturing services that provide our customers with a strategic market advantage. Please contact us to learn how we might partner with you to create an opportunity for sustained success.

**Christy Deliberto**  
**(864) 721-4204**  
[cdeliberto@ics-gts.com](mailto:cdeliberto@ics-gts.com)

Similar To: OEM # 119E1855, 119E1970  
 ICS New 10A0242-XX / ICS Repair 10R0127-00



7EA DLN1 DUAL FUEL SECONDARY ASSY		10A0242-XX	
ITEM NO.	DESCRIPTION	QTY	I.C.S. P/N
1	SECONDARY BASE ASSY	1	10A0288-XX
2	OIL TUBE ASSY	1	10A0191-01
3	WATER TUBE ASSY	1	10A0187-XX
4	SECONDARY SLEEVE ASSY	1	10A0189-01
14	FLAME DETECTOR FLANGE	1	10C0294-01
16	FLAME DETECTOR PORT CAP	1	10C0793-01
17	ORIFICE DISC	1	10C0449-XX
<b>CONSUMABLES</b>			
5	C-SEAL	1	10C0355-01
6	WATER TUBE LOCK RING	1	10C0331-01
7	O-SEAL	1	10C0335-01
8	PISTON RING	6	10C0330-01
9	C-SEAL	1	10C0345-01
10	PISTON RING SET	2	10A0186-01
11	LOCK TAB	3	10C0283-01
12	.500-13 X 2.50 LG 12 POINT BOLT	3	10C0298-03
13	FLEXITALLIC GASKET	1	10C0793-01
15	.500-13 X 1.50 LG 12 POINT BOLT	4	10C0736-01
18	RETAINING RING	1	10C0626-01

ICS has earned our commanding industry reputation through our integrity, customer service excellence, and superior manufacturing services that provide our customers with a strategic market advantage. Please contact us to learn how we might partner with you to create an opportunity for sustained success.

**Christy Deliberto**  
**(864) 721-4204**  
[cdeliberto@ics-gts.com](mailto:cdeliberto@ics-gts.com)